

Installation Instructions - CENTAURI MINOR - SUSPENDED

SAFETY NOTES

- The electrical connection may be set up by suitably trained and qualified authorised personal only.
- Never work when voltage is present on the luminaire.
- **WARNING - Risk of electric shock!!**
- Attention! do not touch the LEDS, this avoids ESD damage.
- LED module **risk group one**; in case of malfunctions with the led module, please contact Light Culture.



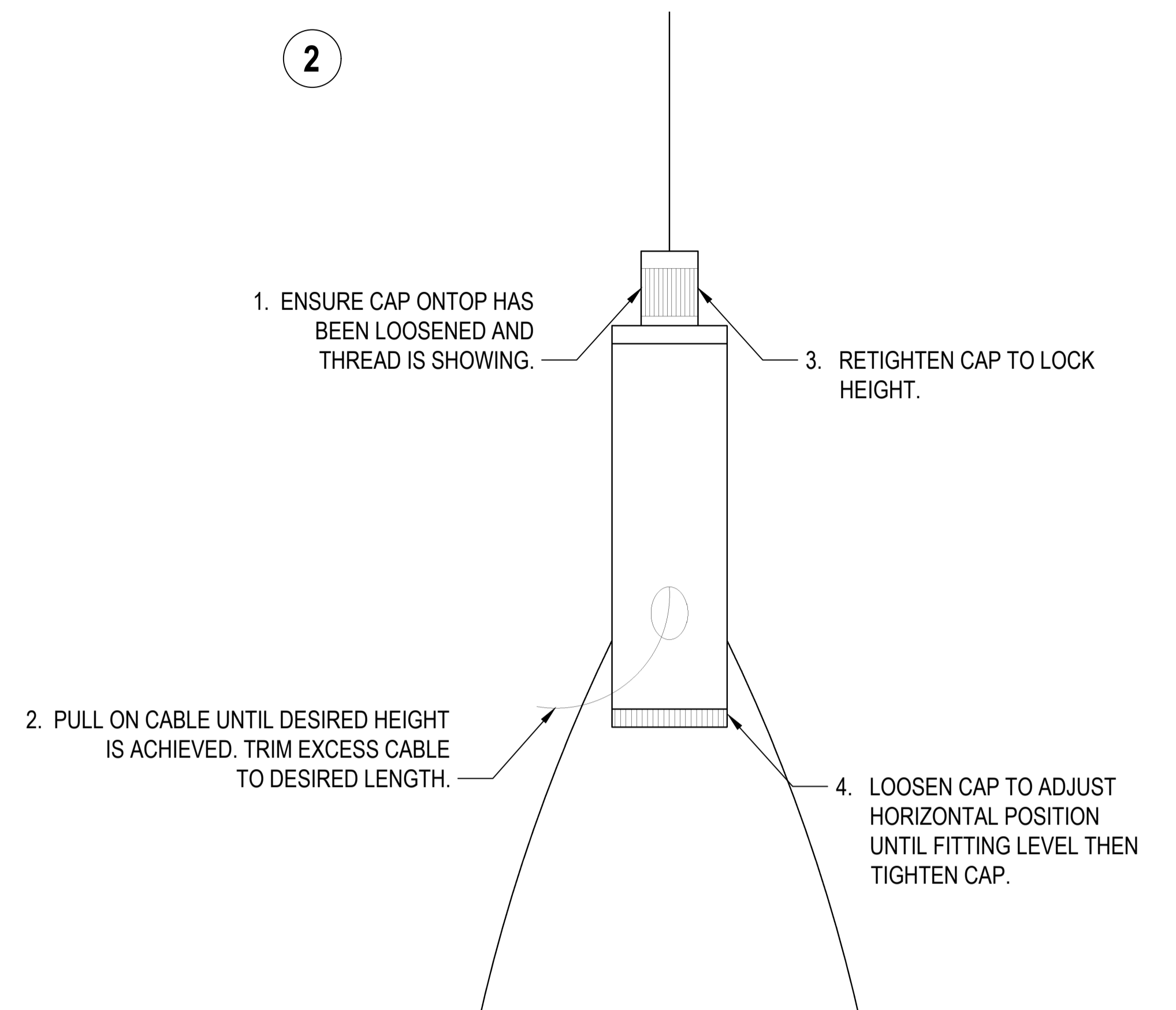
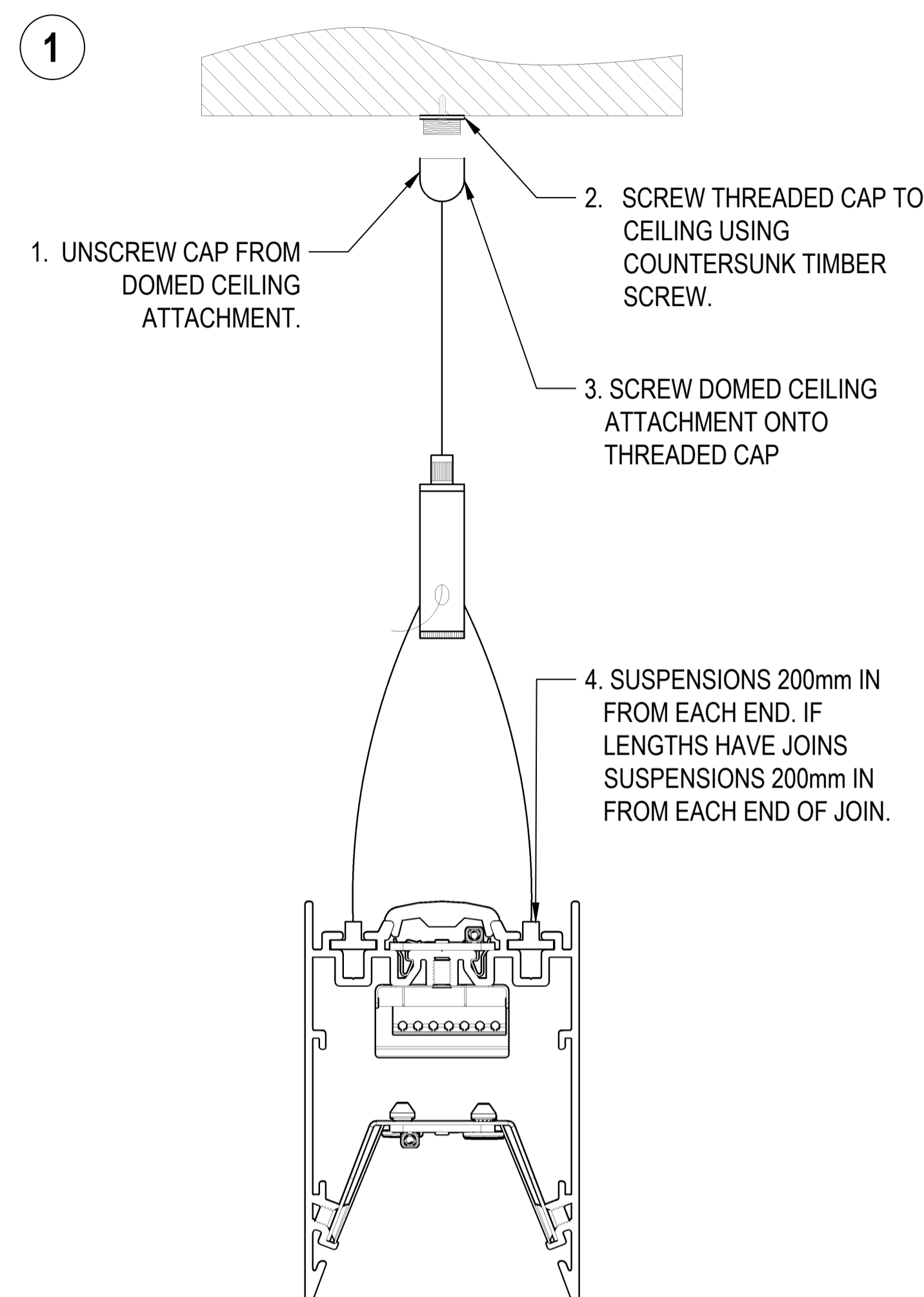
Important information regarding electronic control gear (ECG)

- Interface to the neutral conductor in a three-phase system may result in surge-related damage in the lighting installation. Only open neutral conductor-disconnect terminal when disconnected from power supply and close prior to switching back on.
- The maximum admissible ambient temperature $t_{25^{\circ}\text{C}}$ of the luminaire may not be exceeded. Surpassing that temperature reduces the service life and in extreme cases, poses risk of early failure.
- Use mains cables for control inputs of dimmable ECG (1...10V, DALI, etc.) which are rated for 230v.

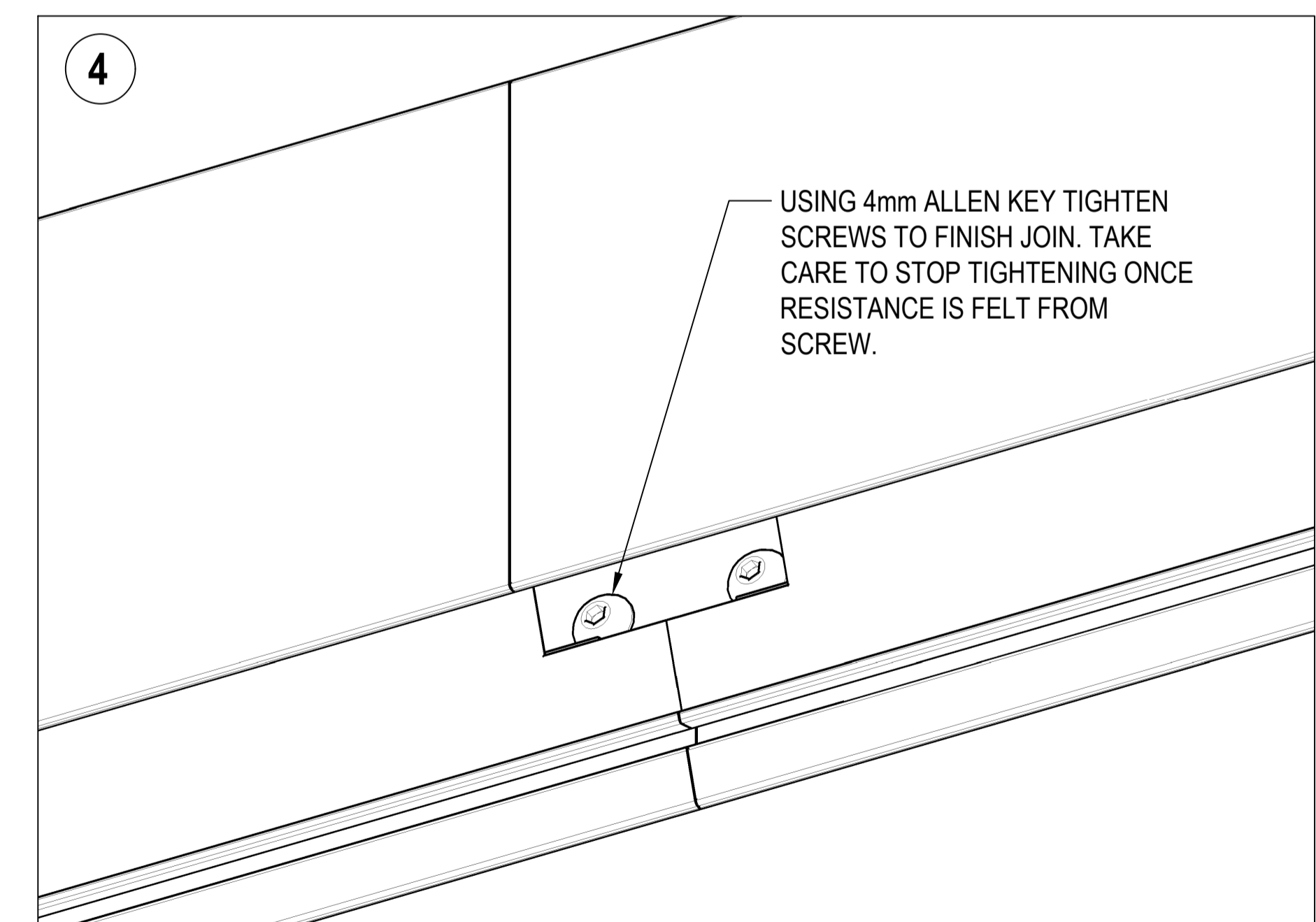
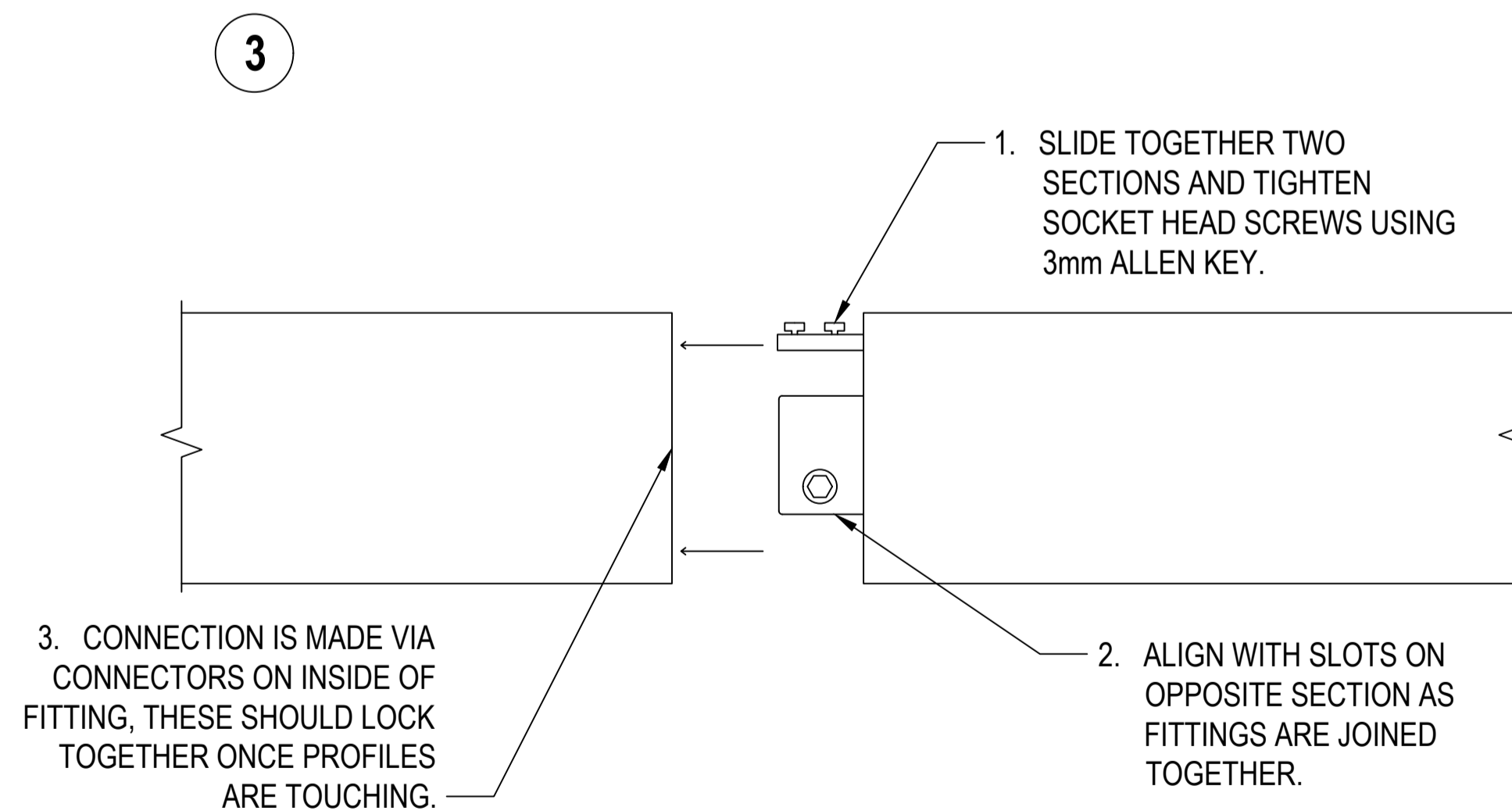
Intended use

Offices, meeting and board rooms, breakout spaces, receptions, museums, retail and gymnasiums.

INSTALLATION INSTRUCTIONS



! CONTINUE TO STEPS 3 IF JOINS IN FITTING. IF NO JOINS, GO TO STEP 5. !



ATTENTION
OBSERVE PRECAUTIONS
FOR HANDLING
ELECTROSTATIC
SENSITIVE DEVICES

This luminaire contains
electrostatic sensitive
discharge components.
Do not touch the LEDs
directly during installations.



min. Two person Installation



Installation Instructions - CENTAURI MINOR - SUSPENDED

INSTALLATION INSTRUCTIONS

